

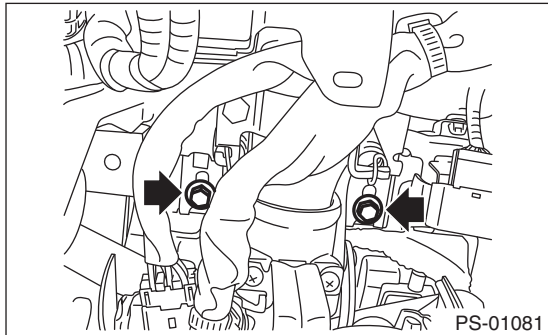
Steering Column

POWER ASSISTED SYSTEM (POWER STEERING)

4. Steering Column

A: REMOVAL

- 1) Adjust the tilt position to the lowest position and lock the tilt lever.
- 2) Remove the steering wheel. <Ref. to PS-16, REMOVAL, Steering Wheel.>
- 3) Remove the universal joint. <Ref. to PS-18, REMOVAL, Universal Joint.>
- 4) Remove the instrument panel lower cover.
- 5) Remove all connectors from the steering column.
- 6) Remove the two bolts under instrument panel securing the steering column.



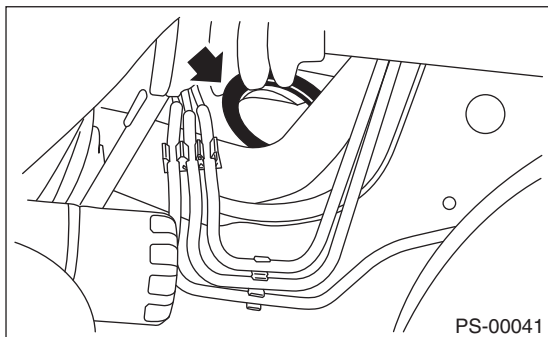
- 7) Pull out the steering shaft assembly from the hole on toe board.

CAUTION:

- Always remove the universal joint before removing the steering column installation bolt to avoid damage to the universal joint.
- Do not loosen the tilt lever when the steering column is not secured to the vehicle.

B: INSTALLATION

- 1) Install the grommet to the toe board.



- 2) Insert the end of the steering shaft into the toe board grommet.
- 3) Tighten the steering column installation bolt located under the instrument panel with the tilt lever fixed.

Tightening torque:

20 N·m (2.0 kgf·m, 14.8 ft·lb)

- 4) Connect all the connectors under the instrument panel.

- 5) Connect the airbag system connector at the harness spool.

NOTE:

Make sure to apply double lock.

- 6) Install the instrument panel lower cover.
- 7) Install the universal joint. <Ref. to PS-18, INSTALLATION, Universal Joint.>

CAUTION:

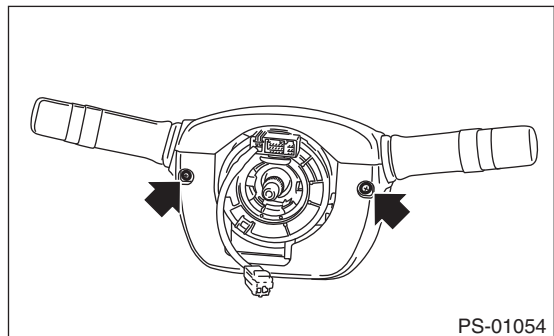
- Always install the universal joint after installing the steering column to avoid damage to the universal joint.

- Always follow the tightening order for universal joint and tightening torque. Otherwise this may cause heavy steering effort.

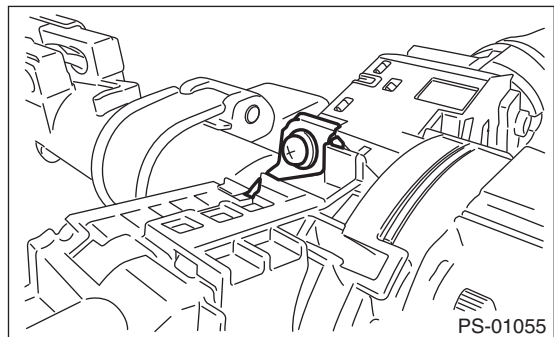
- 8) Align the center position of the roll connector. <Ref. to AB-93, ADJUSTMENT, Roll Connector.>
- 9) Install the steering wheel. <Ref. to PS-16, INSTALLATION, Steering Wheel.>

C: DISASSEMBLY

- 1) Remove the screws and remove the column cover.



- 2) Remove the screw and remove the combination switch.



D: ASSEMBLY

Assemble in the reverse order of disassembly.

Tightening torque:

Combination switch

3.5 N·m (0.4 kgf·m, 2.6 ft·lb)

Column cover

1.2 N·m (0.12 kgf·m, 0.9 ft·lb)

Steering Column

POWER ASSISTED SYSTEM (POWER STEERING)

E: INSPECTION

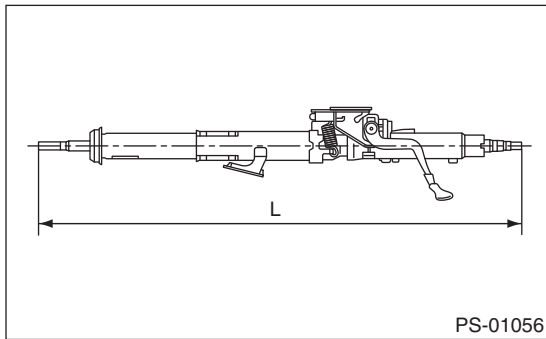
1. BASIC INSPECTION

Measure the overall length of steering column. If not within specification, replace it.

Standard: Overall length L

Tilt and telescopic column (measure while minimized)

$816.9^{+1.5}_{-1.5}$ mm ($32.2^{+0.059}_{-0.059}$ in)



PS-01056

2. INSPECTION OF AIRBAG SYSTEM

Refer to “Airbag System” for airbag inspection procedure. <Ref. to AB-32, INSTALLATION, Driver’s Airbag Module.>